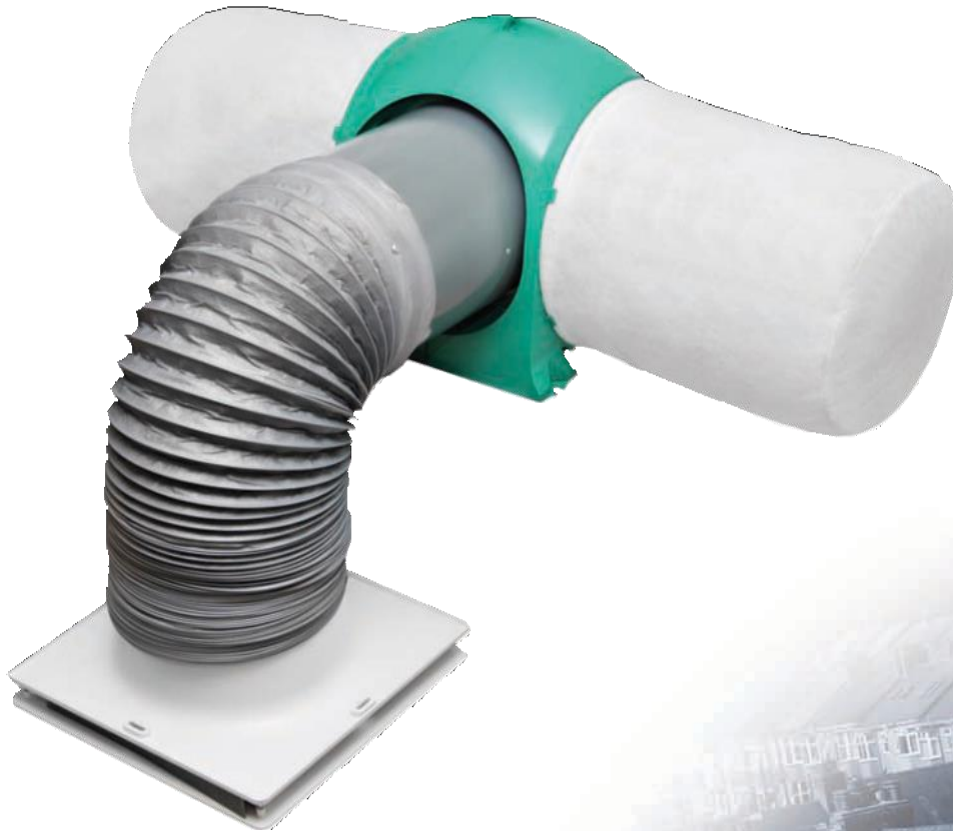


DRIMASTER HEAT (PIV)

INCORPORATES AN INTEGRAL HEATER WHICH CAN BE SET TO PROVIDE
ADDITIONAL HEATING OF THE INCOMING AIR IF REQUIRED.



BENEFITS

INTEGRAL HEATER

To provide additional heating of the incoming air if required e.g. during very cold weather. The heater can be used to distribute filtered, warmed air throughout the property.

EASY INSTALLATION & VERY LOW MAINTENANCE REQUIREMENT

Filter clean or replacement every 5 years.

SIGNIFICANTLY IMPROVES INDOOR AIR QUALITY

Using positive input ventilation removes indoor air pollutants such as carbon monoxide and keeps out traffic fumes, pollen and outdoor pollutants.

COMPLIES WITH THE BUILDING REGULATION REQUIREMENTS

Meets Part F & L England and Wales and contributes towards 'conservation of fuel and power'.

INTELLIGENT HEAT RECOVERY

Twin sensors optimise energy efficiency, adjusting settings to provide increased comfort.

RADON GAS CONTROL

Helps reduce and maintain radon gas levels.

CREATES A HEALTHIER LIVING ENVIRONMENT

High efficiency G4 filters removes up to 95% dust particles.

FIT & FORGET OPERATION

Fully automatic when airflow set on installation.

FIRE DAMPER AND DIFFUSER FOR 3-STORY ACCOMMODATION AVAILABLE

The diffuser is manufactured from aluminium and powder coated to an off white finish (RAL 9003). Product code Drimaster-3S.

SYSTEM STANDBY MODE

For summer months when loft temperature exceeds 23°C.

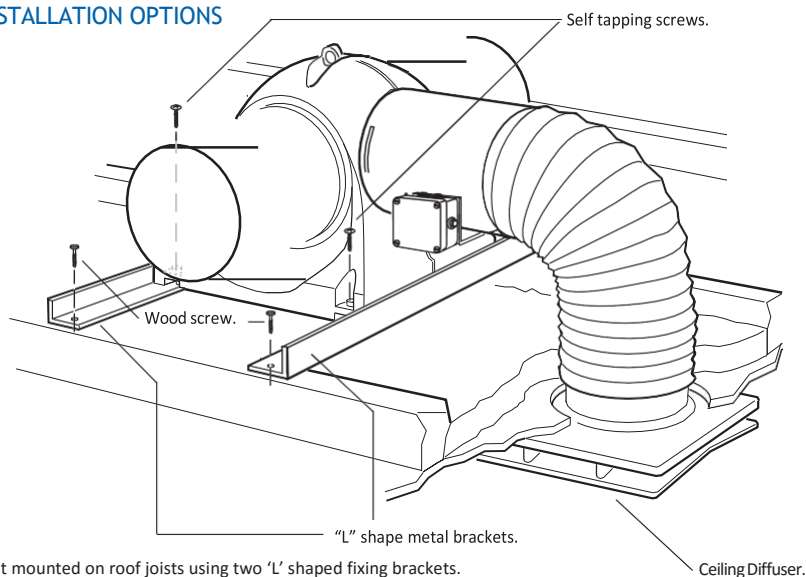
HEALTH

Clinically proven to help allergy and asthma sufferers.

WARRANTY

5 year warranty for peace of mind.

INSTALLATION OPTIONS



Ceiling diffuser.



DRIMASTER HEAT - HOW THE SYSTEM WORKS

The Drimaster-Heat provides whole home ventilation using the Positive Input Ventilation principle. Essentially the concept is to introduce fresh, filtered air into the dwelling at a continuous rate, encouraging movement of air from inside to outside. To achieve this, the unit is mounted in the loft space, drawing air through the filters and inputting it, at ceiling level, into the property. The Drimaster units are fitted with an internal temperature sensor. This sensor continuously monitors the temperature in the loft, boosting the air volume when the loft temperature is above a set level (heat recovery mode).

If the loft temperature becomes excessive the unit will switch to standby mode (no airflow). Once installed, the airflow can be set to suit the house size and, if required, the way it responds to the temperature changes within.



The Drimaster-Heat unit incorporates an integral heater which can be set to provide additional heating of the incoming air if required e.g. during very cold weather. The heater can be used to distribute filtered, warmed air throughout the property.

Casing



Code description

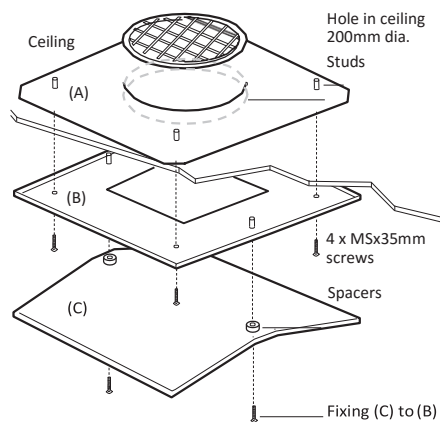
DRIMASTER-HEAT

DRIMASTER HEAT AIR DIFFUSER

The unit shall be supplied with a purpose designed polymer diffuser which provides efficient, directional controllable air supply using side blanking pieces supplied. The diffuser design shall minimise the accumulation of any condensate run off that may occur in the event of power to the unit being switched off. The diffuser shall have been independently assessed for behaviour in relation to fire and adjacent smoke detectors.

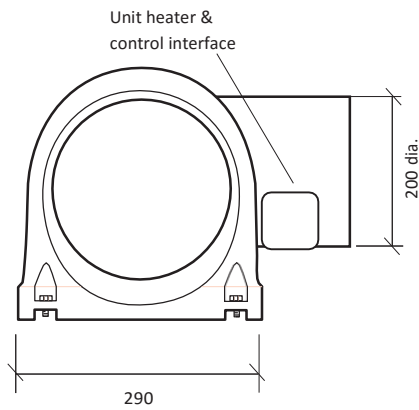
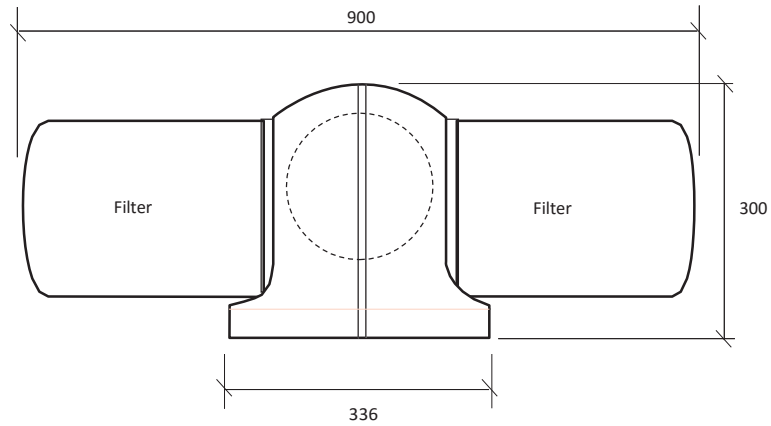
AIR DIFFUSER WITH FIRE DAMPER

For use in stairwells of three storey properties, the optional powder-coated aluminium diffuser with 'Fireblock' provides 1 hour of fire resistance in accordance with BS476 Part 20 and ISO834.

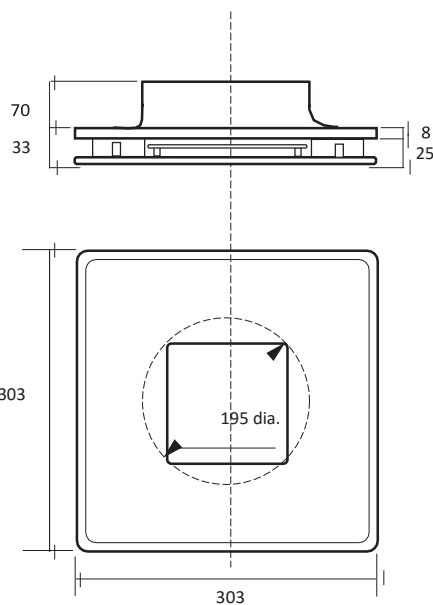


DRIMASTER HEAT - DIMENSIONS (mm)

Drimaster-Heat Unit



Diffuser supplied.



ELECTRICAL CONNECTION

Please note: the electrical connection of the unit must be carried out by a qualified electrician.

Electrical details:

Voltage:	240V 1ph 50Hz
Consumption:	Normal running: 1.6W (min) 15.3W (max), up to 500W with heater at full load.
Fuse rating:	3Amp

The unit is supplied with a pre-wired power supply. This power supply unit has a metal bracket incorporating fixing holes, which should be used to fit the power supply to a suitable surface e.g. a wooden joist.

The fan unit is also supplied with a fused spur. The two core mains cable from the power supply should be connected to a fixed wiring installation, via the isolator, via the spur, in accordance with current IEE wiring regulations.

Typical wiring: Drimaster unit and heater can be wired up via 1 fuse spur, the fuse spur must be fitted with a 3 Amp fuse.

ADJUSTING THE TARGET TEMPERATURE

The occupier will normally require the heater to activate when the loft temperature falls below a predetermined point.

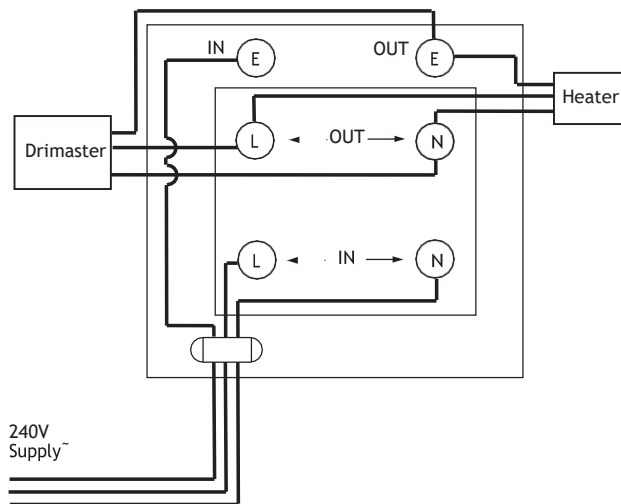
We recommend that the heater set point be set at 10°C. (see figure below).

Installer sets target temperature via the heater set point. The heater will fluctuate on and off to maintain this temperature.

SPEED SETTINGS

The unit has 6 Air Volume (speed) settings. The setting switch is located on the side of the unit. The LED's when illuminated, indicate the corresponding Air Volume from the unit.

As an example, for a one bedroom bungalow, the unit should be set onto the lowest setting (two lights on left). A five bedroom detached house would need to be set on the highest speed (all three LED's illuminated).



Ensure the fan is running before operating the heater.
 If the heater should trip out the power should be isolated for several minutes to allow the unit to reset the thermal trip.

CONSULTANTS SPECIFICATION

SPECIFICATION

Low energy positive input ventilation unit - for use in homes with a loft. The unit shall be robustly constructed from flame retardant VO rated ABS polymer and the casing shall be of spherical pattern with a flat mounting base.

Flame retardant filters of G4 grade, surface area approx 0.47m² (with 5 year typical maintenance period) shall be fitted, which may be removed from the unit without the use of tools. The filters shall be arranged such as to prevent their obstruction in the loft space.

The unit shall incorporate a forward curved centrifugal impeller and high efficiency brushless DC motor fitted with sealed for life, self lubricating bearings and locked rotor protection. The unit's average power consumption shall be 0.16 watts per l/s of airflow (without heater element operational).

The unit shall be supplied with a length of flexible ducting, and all necessary connectors and fixings.

The unit will be supplied with brackets for fitting to joists.

The unit shall be supplied with a purpose designed flame retardant polymer diffuser for efficient, direct able air input. The diffuser design shall be optimised for use in areas where smoke detectors are fitted.

The unit shall include 5 programmable temperature control strategies, 6 volume control settings and an optional high duty boost setting providing an airflow rate of 70l/s for optimum performance and occupant comfort.

A heater section incorporating a 500w heating element shall be fitted to the fan unit. It shall be electronically controlled so as to minimise energy use.

A temperature sensor shall be fitted to the outlet of the heater and will control the output of heater in an attempt to maintain the set point. The set point will be adjustable between 2 and 20°C.

The units "Fixed Temperature Heat Recovery" strategy shall be achieved via a sensor located in the unit and shall improve energy performance accordingly. An internal monitor shall record the unit's operational time.

The unit shall be offered with a 5 year warranty.

For information on reducing radon egress, it is suggested that the details given in Positive pressurisation: a guide to radon remedial measures in existing dwellings may be considered.



Riverside Buildings
Nile Road
Pontypridd
CF37 1BW

Tel: 01443 404516

Email: Enquiries@colinlaverheating.com

www.colinlaverheating.com